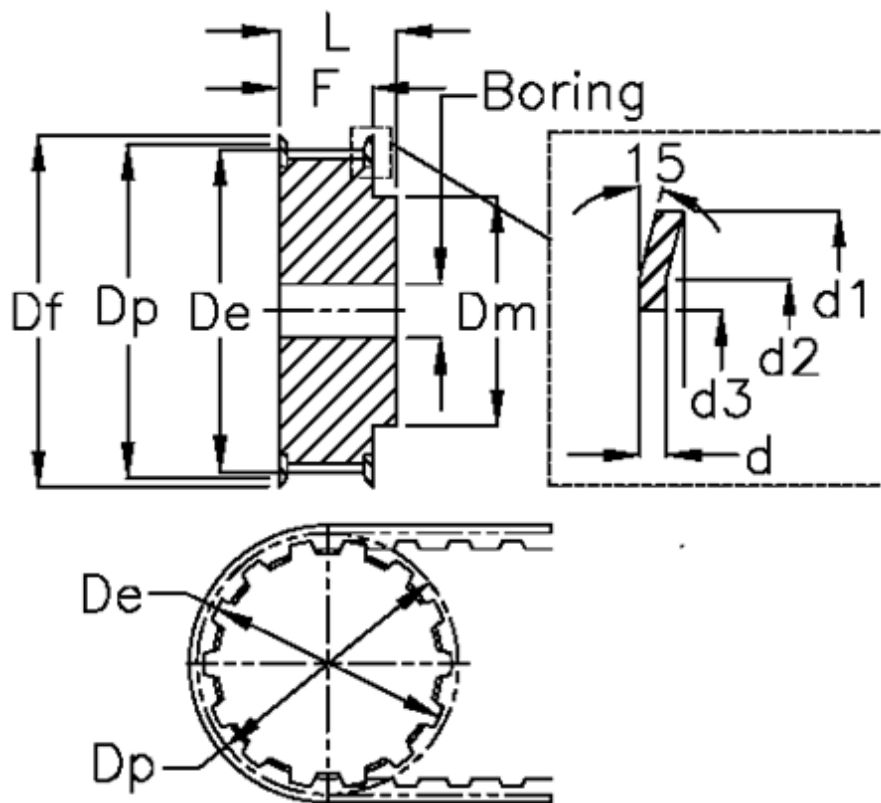


Article number: 604145040115

Description: Timing belt pulley with hub  
HTD 40 14M 115

## Measures



Bore = 32	Dp	= 178.25
d = 2.5	F	= 133
d1 = 188	Flange type	= F56
d2 = 176	L	= 148
d3 = 150	Tooth number	= 40
De = 175.49	Type	= 14M
Df = 188	Weight	= 20.56
Dm = 135	Width	= 115